

Motion detector - Professional Line

IS 3180

COM1 - surface, sq.
EAN 4007841 009113
Article number 009113



Infrarot-Sensor
180°



Max. 20 m

2000 W

2000 W Max. (LED-fähig)



IP54



2 - 1000 Lux



5 Sek - 15 Min



Manuelle
Übersteuerung 4
Std



Ideal 2 m

Teach

Teach mode



Energie sparen

Function description

For large areas. Infrared motion detector IS 3180 for indoors and out, ideal for watching over large areas, ideal installation height 2 m, 180° angle of coverage, reach 20 m max. or 8 m max. (tangential), large terminal compartment for easy installation, heavy-duty relay for high switching capacity.

IS 3180

COM1 - surface, sq.
 EAN 4007841 009113
 Article number 009113



Technical specifications

| | | | |
|--|---|---|---|
| Dimensions (L x W x H) | 65 x 95 x 95 mm | LED lamps > 8 W | 600 W |
| Manufacturer's Warranty | 5 years | Capacitive load in μF | 176 μF |
| Settings via | Remote control, Potentiometers, Smart Remote | Technology, sensors | passive infrared, Light sensor |
| With remote control | No | Mounting height | 1,80 – 2,50 m |
| Version | COM1 - surface, sq. | Mounting height max. | 2,50 m |
| PU1, EAN | 4007841009113 | Optimum mounting height | 2 m |
| Type | Motion detectors | Detection angle | 180 ° |
| Application, place | Outdoors, Indoors | Angle of aperture | 90 ° |
| Application, room | corridor / aisle, function room / ancillary room, stairwell, multi-storey / underground car park, outdoors, all round the building, courtyard & driveway, Indoors | Sneak-by guard | Yes |
| Colour | white | Capability of masking out individual segments | Yes |
| Colour, RAL | 9003 | Electronic scalability | No |
| Includes corner wall mount | No | Mechanical scalability | No |
| Installation site | wall, corner | Reach, radial | $r = 3 \text{ m (14 m}^2\text{)} / r = 4 \text{ m (25 m}^2\text{)}$ |
| Installation | Surface wiring, Wall, corner | Reach, tangential | $r = 6 \text{ m (57 m}^2\text{)} / r = 20 \text{ m (628 m}^2\text{)}$ |
| IP-rating | IP54 | Switching zones | 448 switching zones |
| Ambient temperature | -20 – 50 °C | Functions | Normal / test mode, Manual ON / ON-OFF |
| Material | Plastic | Twilight setting | 2 – 1000 lx |
| Mains power supply | 220 – 240 V / 50 – 60 Hz | Time setting | 5 s – 15 Min. |
| Switching output 1, resistive | 2000 W | Basic light level function | No |
| Switching output 1, number of LEDs / fluorescent lamps | 8 pcs. | Main light adjustable | No |
| Fluorescent lamps, electronic ballast | 1500 W | Twilight setting TEACH | Yes |
| Fluorescent lamps, uncorrected | 1000 VA | Constant-lighting control | No |
| Fluorescent lamps, series-corrected | 400 VA | Interconnection | Yes |
| Fluorescent lamps, parallel-corrected | 400 VA | Type of interconnection | Master/master |
| Switching output 1, low-voltage halogen lamps | 2000 VA | Interconnection via | Cable |
| LED lamps < 2 W | 100 W | Interconnection, number | max. 10 sensors |
| LED lamps > 2 W < 8 W | 300 W | | |

Accessories

| | |
|--------------------|-----------------------------|
| EAN 4007841 009151 | Remote control Smart Remote |
| EAN 4007841 559410 | Service remote control RC8 |
| EAN 4007841 035174 | Corner wall mount 3000 |

Motion detector - Professional Line

IS 3180

COM1 - surface, sq.
EAN 4007841 009113
Article number 009113



Accessories

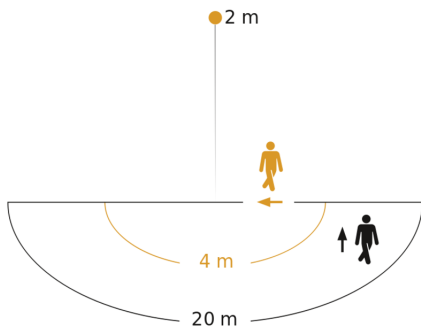
EAN 4007841 056711

Black cover for IR-sensors

IS 3180

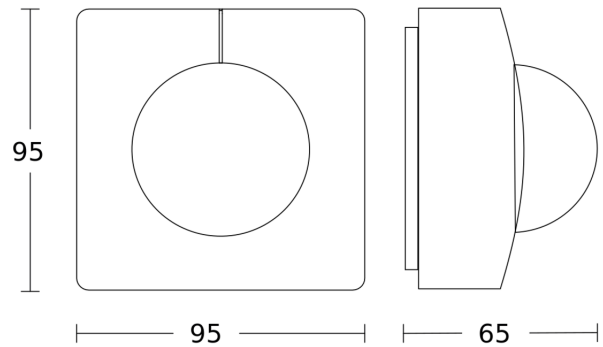
COM1 - surface, sq.
EAN 4007841 009113
Article number 009113

Detection Zone

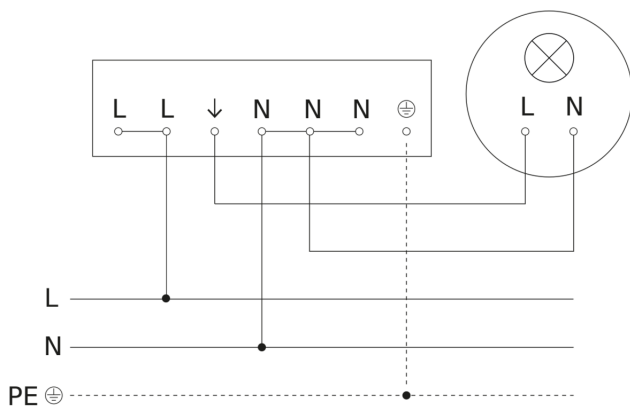


Possible mounting height: 1,80 m - 2,50 m
Orange: radial
Black: tangential

Dimension Drawing



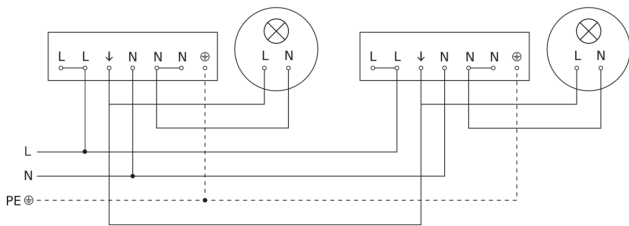
Master circuit diagram



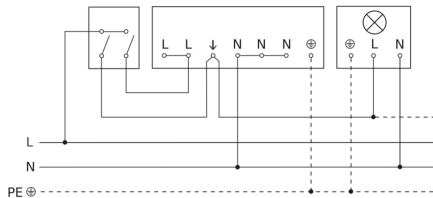
IS 3180

COM1 - surface, sq.
EAN 4007841 009113
Article number 009113

Master/slave interconnection circuit diagram



Connection using two-circuit switch for manual and automatic operation



Connection of 4-fold push-button coupler to DALI2 APC

